



MULTIPLIX 1

INDUSTRIAL LAUNDRY DISPENSING SYSTEM

PRODUCT DATASHEET



Description

Designed to cater to a range of laundry sizes, the Multiplex range serves establishments operating anywhere from 4 to 12 washing machines. With safety as a top priority, the Multiplex dispensing system incorporates several key features to ensure peace of mind for operators. From rigorous leak and water testing protocols to comprehensive chemical compatibility checks, Multiplex guarantees a secure dispensing routine. Additionally, its innovative design includes continuous channel cleaning with water, effectively minimizing maintenance requirements and ensuring uninterrupted operation.

Technical Specifications

| | | Value | |
|-------------|------------------------------------|---|-----------------------|
| UNIT | Maximum of products | 8 | |
| | Maximum number of washing machines | 4 | |
| INTERACTION | Functions | Configure Real-Time View Reports Password Management | |
| | Interface | Web server (Local) Web Portal | |
| | ELECTRICAL PARAMETERS | Voltage / Frequency | 110-240 VAC / 50-60Hz |
| | | Power | 108W |

T (+1) 913-956-4909 **E** sales@brightwell-inc.com **W** brightwell-inc.com/

Brightwell Dispensers Inc. 9858 Britton Street, Lenexa, KS, 66219

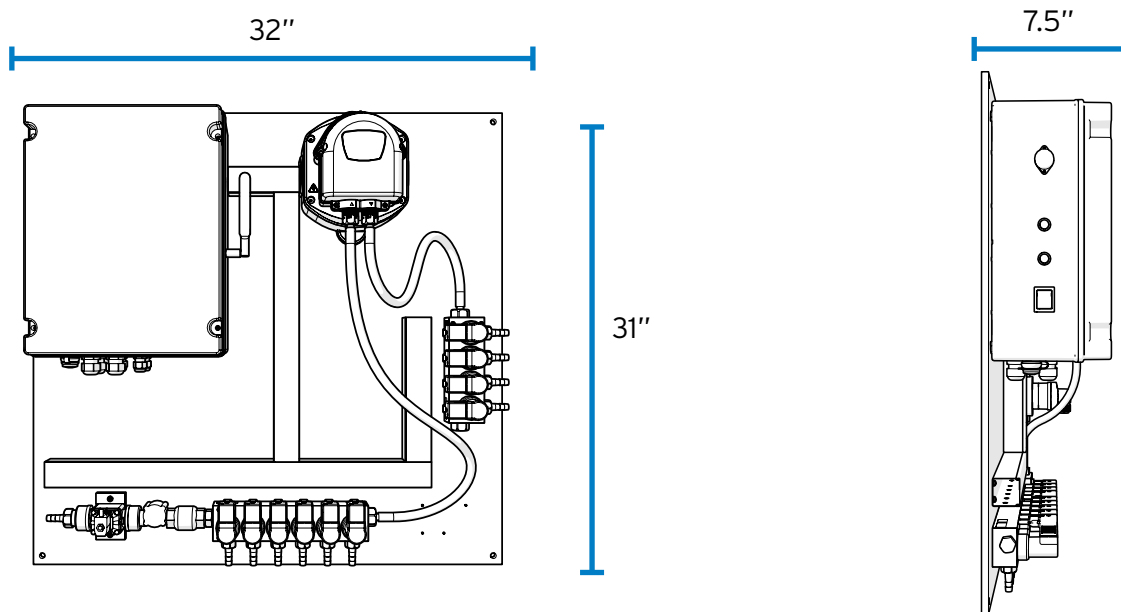
All information in this data sheet is correct at the time of printing and is subject to change without notice.

Technical Specifications

| | | Value |
|----------------------|------------------------------------|---|
| WATER | Pressure in dynamic regime | Min 22 PSI - Max 44 PSI Regulator recommended |
| | Flow rate range | Min 68 fl oz/min (Approx) Max 338 fl oz/min (Approx) |
| | Inlet connection | 3/8" barbed connector |
| | Maximum temperature | < 86° F |
| | Recommended hardness | < 8 - 8.5 gpg (grains per gallon) |
| | Booster tank | Not included. Supplied on request. Recommended. |
| PANELS | Material | PVC |
| PUMPS | Number | 1 pump per channel. Main channel: electric diaphragm |
| | Flow rate (with water) | 51 fl oz per minute |
| | Body | PVDF |
| | Membranes | PTFE |
| | Non return valves | PVDF/FFKM |
| PRODUCT/WATER VALVES | Voltage | 24VDC |
| | Body | PP |
| | Closure piston | PTFE |
| | O-rings | FFKM |
| FLOW SENSOR | Standard measuring principle | On/Off flow confirmation only |
| | Signal | 9 VDC PNP |
| | Body | PVC/PA |
| | O-rings | NBR |
| DOSING | Distribution | Integrated distributor |
| | Outlet barb diameter | 3/8" |
| | Outlet barb material | PVDF |
| | Built-in tubes | PTFE (Teflon) 3/8" x 1/2" pipe |
| | Recommended pipes for installation | Reinforced PVC 3/8" x 5/8" |
| CALIBRATION | Mode | Distributor Valve |
| | Measuring cup type | Not included * recommend |
| FORMULAS | Number | 200 |
| | Dose units | g/kg fl oz/cw |
| | Maximum number of doses per phase | 6 |

| | | Value |
|----------------------|-------------------------|---|
| STATISTICS | Data | Cloud synchronization |
| | | Onboard storage |
| | | Production in load and cycles |
| | Information | Consumption and product cost |
| | | OEE |
| REMOTE ACCESS | Availability | Alarms |
| | | Data always available on the web portal and the possibility to make changes at any time, with instant synchronization |
| | Router *Internet access | Not included in the equipment |

Diagram



Dimensions

| | |
|--------|------------|
| Width | 32 inches |
| Height | 31 inches |
| Depth | 7.5 inches |

Weight

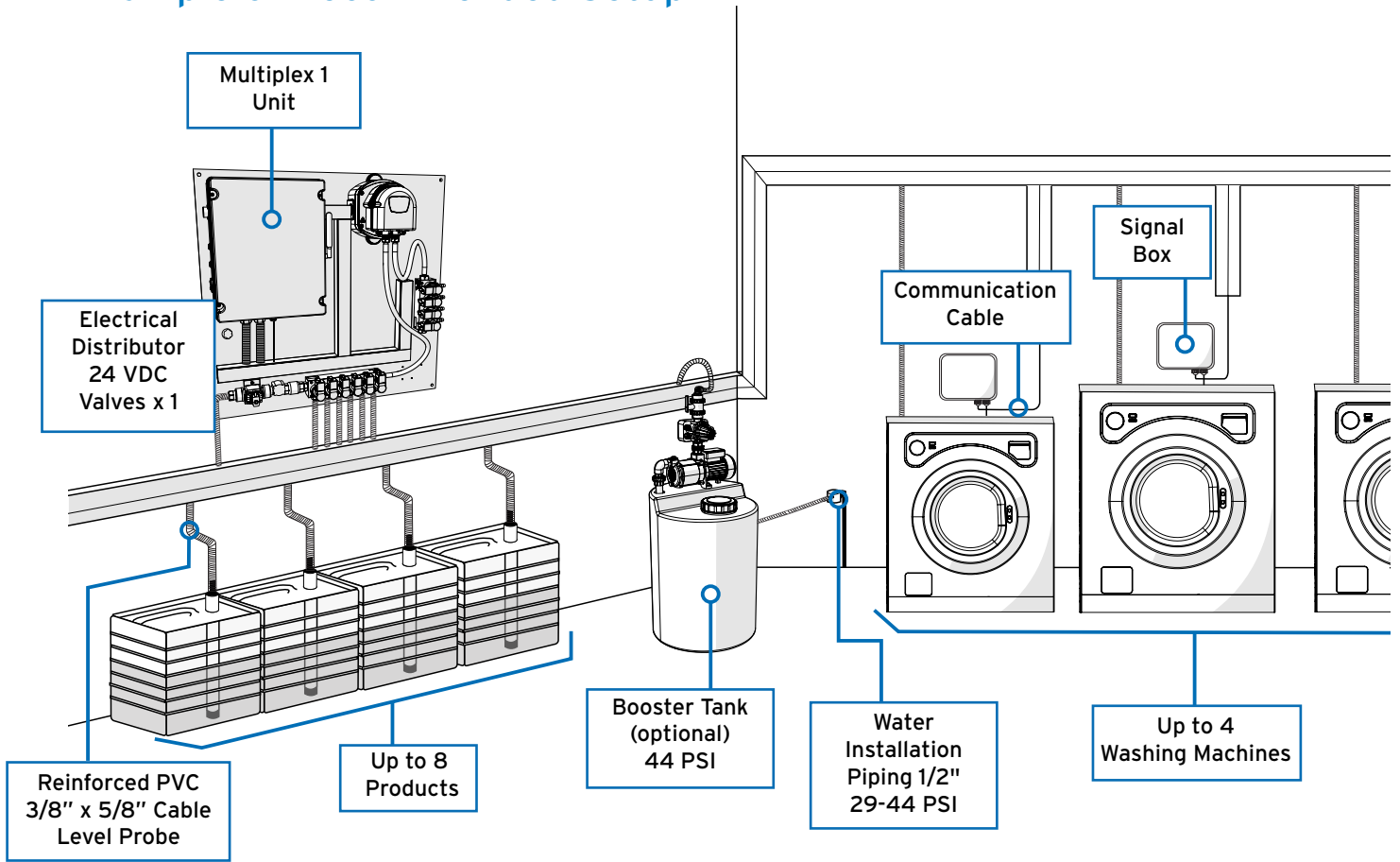
| | |
|------|--------|
| Unit | 41 lbs |
|------|--------|

T (+1) 913-956-4909 **E** sales@brightwell-inc.com **W** brightwell-inc.com/

Brightwell Dispensers Inc. 9858 Britton Street, Lenexa, KS, 66219

All information in this data sheet is correct at the time of printing and is subject to change without notice.

Example of Recommended Setup



T (+1) 913-956-4909 E sales@brightwell-inc.com W brightwell-inc.com/

Brightwell Dispensers Inc. 9858 Britton Street, Lenexa, KS, 66219

All information in this data sheet is correct at the time of printing and is subject to change without notice.

Revision 11
05/2024
BIO75US