



EcoMix Compact - 1 Chemical

Product Datasheet



Description

EcoMix proportioners provide an economical and flexible way of diluting chemicals on-site. Suitable for high flow and low flow applications, these proportioners are connected to a water mains and dilute a pre-determined ratio of chemical concentrates into a ready-to-use solution.

Key Features

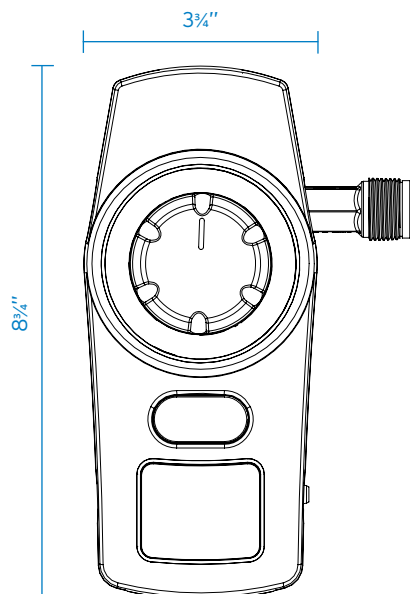
- Simple and intuitive to use with push and hold operation
- Choice of high or low flow operation
- 12 precise dilution ratios with our patented dilution pin technology
- Easy mounting of multiple systems using interconnected water inlets
- Standard with male GHT (female adapter included)
- Available with secure chemical cabinets and attachable bottle bracket
- Customer branding available

Technical Specifications

| | |
|---------------------|---|
| Operation | Intuitive dial and push operation. Twist and lock option for high capacity applications. |
| Installation | Working temperature range 40 - 150°F. Working pressure range 30 - 90 PSI Minimum water flow required: High flow = 4 gal/min Low flow = 1 gal/min |
| Dilution | Select up to 12 independent dilution ratios per chemical Ultra Dilution Pin: Low flow 4:1 to 168:1, High flow 8:1 to 367:1 Ultra Plus Dilution Pin: Low flow 4:1 to 280:1, High flow 8:1 to 596:1 |
| Capacity | Suction from any sized container. Cabinet available for 50 oz pouch, 64 oz or 84 oz container, 1 gal container or 101 oz pouch. |
| Material | Cover/Backplate/Dial Selector: Glass Bead Polypropylene (GBPP) Proportioner Pusher: ABS Internal tubing and seals: EPDM (Viton and Extreme Viton available) Dilution dial: PVDF |
| Color | Cover: Dark grey; Ring: Standard in light grey. Ring also available in blue, green, red, and yellow. |
| Branding | The dispensers can be branded with your company name or logo (MOQ's apply) |
| Approvals | Includes backflow prevention meeting ASSE 1055 |
| Accessories | Hanging bottle bracket, secure chemical cabinets, colored rings |
| Warranty | 2 years |

In the Box

| | |
|--|---|
| EcoMix Compact Unit | Clear vinyl chemical suction tube - 1/4" x 3/8" |
| Dispenser key | Instruction manual |
| Ceramic weight | Drilling template |
| Foot valve | Screw pack |
| Low flow outlet tube (LF/Bottle) | Bottle bracket and clips (low flow version) |
| High flow 5 ft outlet tube (HF/Bucket) | Bucket hook (high flow version) |



Dimensions

| | |
|--------|--------|
| Width | 3 3/4" |
| Height | 8 3/4" |
| Depth | 5" |

Weight

| | |
|------|---------|
| Unit | 1.5 lbs |
|------|---------|

Part Numbers

| | |
|--------------|--|
| DPCHB-CG/U9 | EcoMix Compact HF/Bucket, Dark Grey Cover, Light Grey Ring |
| DPCLBB-CG/U9 | EcoMix Compact LF/Bottle, Dark Grey Cover, Light Grey Ring |

Shipping Info

| Shipping Method | Quantity of Units | Dimensions L x W x H (in) | Net packed weight (lbs) |
|-----------------|-------------------|------------------------------|-------------------------|
| Unit | 1 | 14 1/2" x 6 1/4" x 6" | 3 lbs |
| Case | 12 | 25 1/2" x 21 1/4" x 20 1/2" | 37.5 lbs |
| Pallet | 108 | 47 1/4" x 39 1/2" x 46" | 379 lbs |